

- VCC-7HD20S
- VCC-7HD30S

KEY FEATURES



VISCA

- Resolution: 1080P,720P
- Zoom: Optical 20X, 30X
- Video Output: HD-SDI, HDMI, CVBS, YPbPr
- Power: DC 12V

DESIGN



- Sturdy body design with base and frame made of Magnesium Alloy for durability and balance.
- Camera is integrated with super quiet pan and tilt Stepper Motor to ensure accuracy, smoothness and speed in control.
- Multi - function compact video conference / security camera with SDI(3G), IP, HDMI outputs with Pelco D/P, VISCA and ONVIF support PTZ controls.

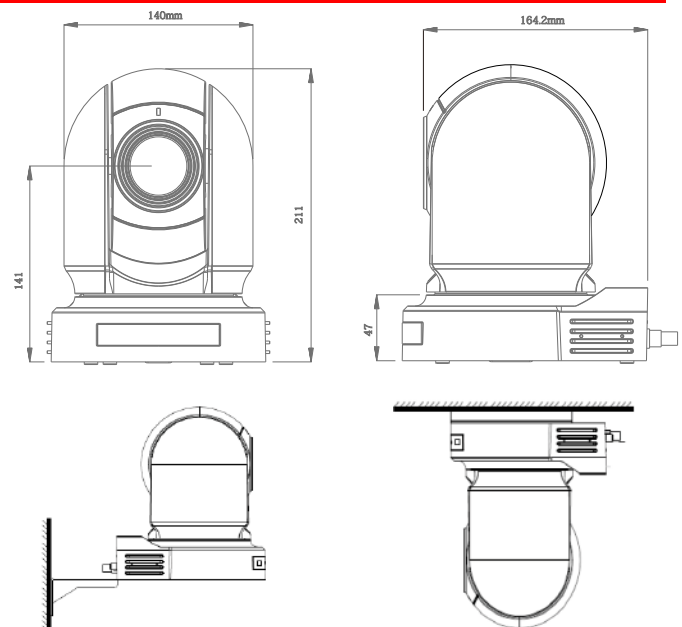
FUNCTIONALITY

- Ideal for video-conferencing, house of worship, educational environment, corporate training, distance learning.
- ±350 degrees continuous pan, ±120 degrees continuous tilt
- 128 presets, Speed up to 260 degrees/s
- Control: RS232/RS422/RS485, IR Remote Controller
- Standard mounting and ceiling mounting with E-Flip function



VCC-7HD20S-F

INSTALLATION DIAGRAM



ORDER INFORMATION

- VCC-7HD20S-F
- VCC-7HD30S-F
- (SDI+HDMI+CVBS+YPbPr)

Product Specification

Model No.	VCC-7HD20S-F	VCC-7HD20S-SMN	VCC-7HD30S-F	VCC-7HD30S-SMN
Camera	20X		30X	
Image Sensor	1/2.8" CMOS 2.38MP			
Lens	4.7~94mm		4.3~129mm	
Digital Zoom	12X		12X	
Horizontal Angle of View	59.5°(W)~3.3°(T)		63.7°(W)~2.3°(T)	
Aperture	F1.6(W)~F3.5(T)		F1.6(W)~F4.7(T)	
Min. Illumination	High Sensitivity mode: Color 0.1 lux (F1.6, AGC on, 1/30 s), Normal mode: Color 0.4 lux (F1.6, AGC on, 1/30 s),		High Sensitivity mode: Color 0.35 lux (F1.6, AGC on, 1/30 s), Normal mode: Color 1.4 lux (F1.6, AGC on, 1/30 s),	
Shutter Speed	1/1 s to 1/10,000 s, 22 steps			
Resolution	1080p/59.94, 1080p/50, 1080p/60, 1080p/30, 1080p/29.97, 1080p/25, 1080i/59.94, 1080i/50, 1080i/60, 1080i/30, 720p/59.94, 720p/50, 720p/60, 720p/30, 720p/29.97, 720p/25			
Focus	Auto (Sensitivity: normal, low), One-push AF, Manual, Interval AF, Zoom Trigger AF, Focus compensation in ICR on			
White Balance	Auto, ATW, Indoor, Outdoor, Outdoor Auto, Sodium Vapor Lamp (Fix/Auto/Outdoor Auto), One-push, Manual			
Exposure	Auto, Manual, Priority mode (shutter priority & iris priority), Bright, EV compensation, Slow AE			
Day/Night	YES			
Backlight Compensation	YES			
WDR	YES, True WDR, 130db			
Defog	YES			
Motion Detection	YES			
Privacy Zone Masking	YES, 4 Zones			
E-FLIP	YES			
Image Stabilizer	YES			
Noise Reduction	YES			
S/N Ratio	≥50db			
Mechanical				
Pan Movement	Horizontal:±350 degrees continuous pan (Highest Speed: 200 degrees / sec)			
Tilt Movement	Vertical:+90 degrees to -30 degrees (Max Speed:120 degrees/sec)			
Preset Position	128 (Speed:260 degrees / sec)			
Home Position	Support			
Environmental	IP65			
Interface				
Video Output	SDI, HDMI, CVBS, YPbPr	SDI, HDMI, IP	SDI, HDMI, CVBS, YPbPr	SDI, HDMI, IP
Audio I/O	Audio input x1, Audio out put x1, 3.5mm audio jack (IP Models)			
Control Interface	RS232/RS422/RS485, IR Remote Controller			
Control Protocol	VISCA / Pelco P, D / Onvif (IP Models)			
HD-SDI Signal				
HD-SDI	Signal Fluctuations 800mv +/-10% (external cable extension requirements 75-5, 128 twisted pair shielding , coaxial cable)			
Signal Format	1080P59.94, 1080P50, 1080P30, 1080P25, 1080i59.94, 1080i50, 720p59.94, 720p50, 720P30, 720P25			
Network	Only for IP Model (Model Number with "N")			
Video Compression	MJPEG, H.264 High Profile			
Frame Rate	1080P (1920*1080) MAX:30 FPS, 720P(1280*720) MAX:30 FPS, D1(720*576) MAX:25 FPS			
Protocols	L2TP, IPv4, IGMP, ICMP, ARP, TCP, UDP, DHCP, PPPoE, RTP, RTSP, QoS, DNS, DDNS, NTP, FTP, UPnP, HTTP, SNMP, SIP IP Auto Adaptations, Effective monitoring even under data loss environment			
Multi-stream	3 data stream function will satisfy various bandwidth, frame rates and storage requirements in real time			
Audio Compression	AAC-LC Broadband Audio Encoding			
Special Function	UNP Technique, resolve Private Network NAT throughput, support movement testing, audio testing, various intelligent functions.			
OSD	Customized OSD, Support Side Hook and Artistic Font			
Compatible Integration	ONVIF			
General				
Operating Temperature	-20 to +60 (°C)			
Operating Humidity	≤80% Suitable for Use			
Power Input	DC12V			
Power Consumption	12W			
Dimension	201x165x211mm			
Weight	1.9kg			